



IQ8X Microinverter

Our newest IQ8X Microinverter is the industry's first microgrid-forming* microinverters. The high-powered, smart grid-ready IQ8X Microinverter is designed to match the latest-generation high-output PV modules. The IQ8X Microinverter has the highest energy production and reliability standards in the industry, and with rapid shutdown functionality, it meets the highest safety standards. The brain of the semiconductor-based microinverter is our proprietary, application-specific integrated circuit (ASIC) which enables the microinverter to operate in grid-tied or off-grid modes. This chip is built in advanced 55-nm technology with high-speed digital logic and has superfast response times to changing loads and grid events, alleviating constraints on battery sizing for home energy systems.



IQ Gateway

The IQ Gateway is the platform for energy management and integrates with IQ Microinverters and IQ Batteries to provide complete control and insights into the Enphase Energy System.

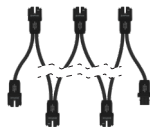


Integrated MC4 connectors

Connect PV modules quickly and easily to the IQ8X Microinverter that has integrated MC4 connectors.



IQ Relay single-phase and multi-phase
Production and storage circuit, integrated Neutral Sensing-protection device with PLC-Phase coupler (multi-phase) and DC injection monitoring.



IQ Cabling

Install microinverters quickly and safely with IQ Cabling. With multi-phase IQ Cabling, the installed capacity is automatically distributed evenly across all three phases.



IQ Battery 5P

Part of the Enphase Energy System, the IQ Battery 5P integrates with the IQ8X Microinverter, IQ System Controller 3 INT, and the Enphase App monitoring and analysis software.

Compatible with latest-generation high-output PV modules

- Supports higher-voltage, typically 80-half-cell, 88-half-cell, 96-cell, PV modules

Easy to install and commission

- Lightweight and compact with integrated Stäubli MC4 connectors for easy installation
- Fast installation with simple AC cabling
- New integrated circuit technology enables faster firmware upgrades

High-energy production, reliability, and safety

- Produces power even when the grid is down*
- More than 1 million power-on hours of reliability testing
- Patented Burst Mode technology provides increased energy production
- Low-voltage DC and rapid shutdown for the ultimate fire safety
- Designed to support PV modules with higher input DC voltage and cell counts, such as 96-cell, 80-half-cell, and 88-half-cells

NOTE:

- Commissioning of IQ8X Microinverter systems requires Enphase Installer App version 4.0 or higher.
- IQ8X Microinverter cannot be mixed together with previous generations of Enphase microinverters (IQ7, S, and M Series Microinverters) on the same IQ Gateway.



15-year limited warranty

IQ8X Microinverter redefines reliability standards with more than 1 million cumulative hours of power-on testing, enabling an industry-leading limited warranty of up to 15 years.**

* Only when installed with IQ System Controller 3 INT and IQ Battery 5P.

** 15-year limited warranty is valid, provided an internet-connected IQ Gateway is installed.

IQ8X Microinverter

INPUT DATA (DC)	PARAMETER	UNITS	IQ8X-80-M-INT	
Typical module compatibility	—	—	80-half-cell, 88-half-cell, and 96-cell No enforced DC/AC ratio and maximum input power. Modules can be paired as long as the maximum input voltage is not exceeded and the maximum input current of the inverter at the lowest and highest temperatures is respected. See the module compatibility calculator at https://enphase.com/en-au/installers/microinverters/calculator . ¹	
Minimum/Maximum input voltage	U_{dcmin}/U_{dcmax}	V	25/79.5	
Start-up input voltage	$U_{dcstart}$	V	30	
Rated input voltage	$U_{dc,r}$	V	51.5	
Minimum/Maximum MPP voltage	U_{mppmin}/U_{mppmax}	V	43/60	
Minimum/Maximum operating voltage	U_{opmin}/U_{opmax}	V	25/79.5	
Maximum input current	I_{dcmax}	A	10	
Maximum short-circuit DC input current	I_{scmax}	A	16 Maximum short-circuit current for modules (I_{sc}) allowed being paired with the IQ8X Microinverter: 13 A (calculated with 1.25 safety factor as per IEC 62548).	
Maximum input power ^{1,2}	P_{dcmax}	W	505	
OUTPUT DATA (AC)	PARAMETER	UNITS	IQ8X-80-M-INT	
Maximum apparent power	$S_{ac,max}$	VA	384	
Rated apparent power	$P_{ac,r}$	VA	380	
Nominal grid voltage	U_{acnom}	V	230	
Minimum/Maximum grid voltage	U_{acmin}/U_{acmax}	V	184/276	
Rated/Maximum output current	I_{acmax}	A	1.65/1.67	
Nominal frequency	f_{nom}	Hz	50	
Minimum/Maximum frequency	f_{min}/f_{max}	Hz	47/52	
Maximum units per single-phase 20 A circuit	—	—	10 (L+N) Single-phase	36 (3L+N) Multi-phase
Maximum units per multi-phase 25 A circuit	—	—	For IQ Cable with 2.5 mm ² stranded conductors and using a 1.20 safety factor. The safety factors applied may vary based on local regulations or best practices, as well as upon the characteristics the OCPD selected.	
Recommended maximum units per single/multi-phase IQ Cable section to reduce voltage rise in IQ Cable	—	—	8 (L+N) Single-phase	18 (3L+N) Multi-phase
Protective class (all ports)	—	—	II	
Total harmonic distortion	—	%	<5	
Power factor setting	—	—	1.0	
Power factor range	cos phi	—	0.8 leading ... 0.8 lagging	
Inverter maximum efficiency	η_{max}	%	97.5	
European weighted efficiency	η_{EU}	%	96.7	
Inverter topology	—	—	Isolated (HF Transformer)	
Nighttime power loss	—	mW	50	
MECHANICAL DATA	IQ8X-80-M-INT			
Ambient air temperature range	-40°C to 65°C (-40°F to 149°F)			
Relative humidity range	4% to 100% (condensing)			
Overvoltage class AC port/DC port	III/II			

¹ Installer should not exceed the small-scale technology certificate (STC) limit on PV module wattage for claiming the STC.

² Pairing PV modules with wattage above the limit may result in additional clipping losses. See the compatibility calculator at <https://enphase.com/en-au/installers/microinverters/calculator>.

MECHANICAL DATA

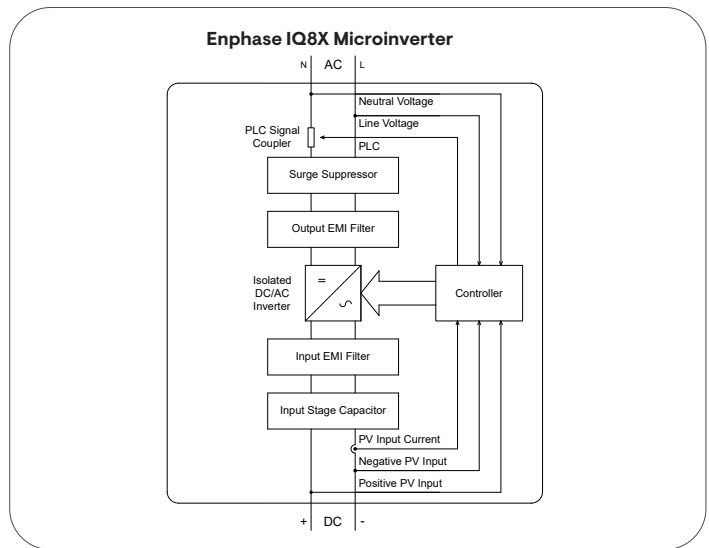
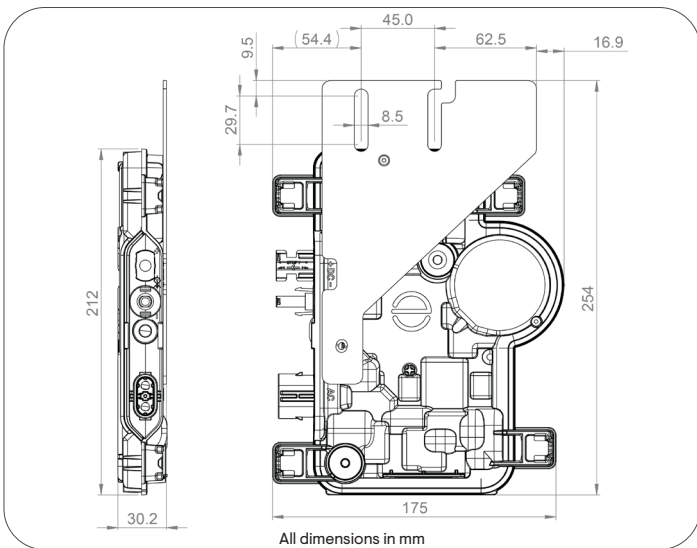
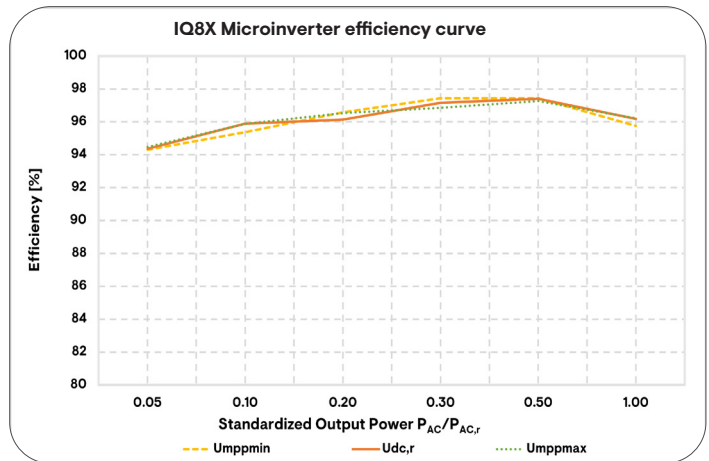
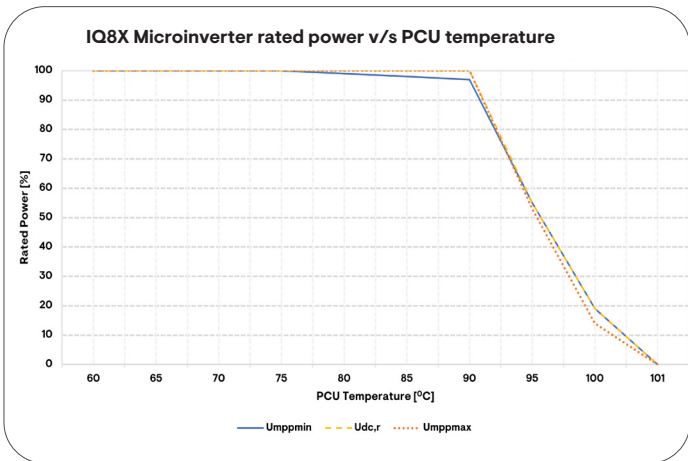
IQ8X-80-M-INT

Number of input DC connectors (pairs) per single MPP-tracker	1
AC connector type	IQ Cabling (refer to the IQ Cable and accessories data sheet)
DC connector type	Stäubli MC4
Dimensions (H × W × D)	212 mm (8.3") × 175 mm (6.9") × 30.2 mm (1.2") (without mounting brackets)
Weight (with mounting plate)	1.1 kg (2.4 lb)
Cooling	Natural convection – no fans
Enclosure	Class II double-insulated, corrosion-resistant polymeric enclosure
IP rating	Outdoor - IP67
Altitude	<2,600 m
Calorific value	37.5 MJ/unit

STANDARDS	IQ8X-80-M-INT
Grid compliance (with IQ Relay)	AS/NZS 4777-2:2020
Safety	EN IEC 62109-1, EN IEC 62109-2
EMC	EN IEC 61000-3-2, 61000-3-3, 61000-6-2, 61000-6-3, EN IEC 50065-1, 50065-2-1, EN55011 ³
Product labelling	CE, RCM
Advanced grid functions ⁴	Power export limiting (PEL), phase imbalance management (PIM), loss of phase detection (LOP), power factor control Q (U), cos (phi) (P)
Microinverter communication	Power line communication (PLC) 110 kHz–120 kHz (Class B), Narrowband 200 Hz

³ At STC within MPP range.

⁴ Some of these functions require IQ Gateway Metered with current transformers and/or IQ Relay installed.



Assembled in China, India, or U.S.

Manufacturer: Enphase Energy, Inc. 47281 Bayside Pkwy., Fremont, CA 94538, United States. PH: +1 (707) 763-4784

Importer: Enphase Energy Aust. Pty/Ltd., 88 Market St., South Melbourne VIC 3205. PH: +61 386691679

IQ8X-MC4-DSH-00240-3.0-EN-ANZ-2024-06-20

Revision history

REVISION	DATE	DESCRIPTION
DSH-00240-3.0	June 2024	Updated the IQ8X Microinverter figure and removed the "SCHEDULED TO RELEASE IN Q2 2024" tag.
DSH-00240-2.0	February 2024	Preliminary release.
DSH-00240-1.0	November 2023	Preliminary release.